



CHARACTERISTIC / CARATTERISTICHE	
Volt	12V
Capacity / Capacità	20h 240Ah
	5h 204Ah
Internal Resistance	Full Charged Battery 25°C ≤3mΩ
Capacity affected by Temperature / Effetti delle temperature sulla capacità	40°C 102%
	25°C 100%
	0°C 85%
	-15° 65%
Self-Discharge 25°C Capacity / Autoscarica a 25°C	after 3 month storage 90%
	after 6 month storage 80%
	after 12 month storage 62%
Charge (Costant Voltage 25°C)	Float Volt 13.6 - 13.8V
	Charge Max.60Amp. 14.4 - 14.9 Volt

CHARACTERISTIC / CARATTERISTICHE			
Battery dimensions / Dimensioni batteria			
L/L	W/P	H/A	Tot - H/A
522	238	218	220
Box Dimensions / Dimensioni scatola			
L/L	W/P	H/A	
-	-	-	
Weight / Peso		64.50Kg	
Terminal / Terminali		M8	
Case / Contenitore		ABS	

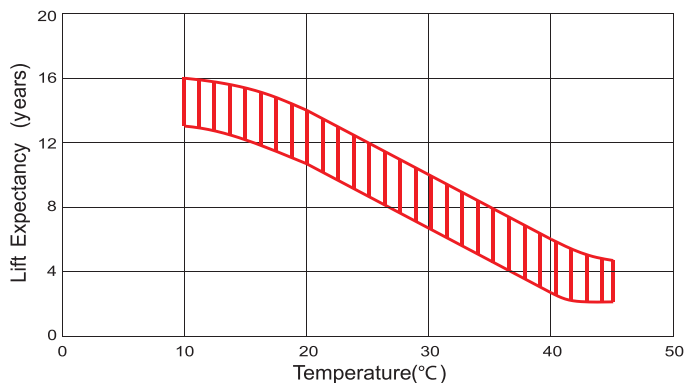
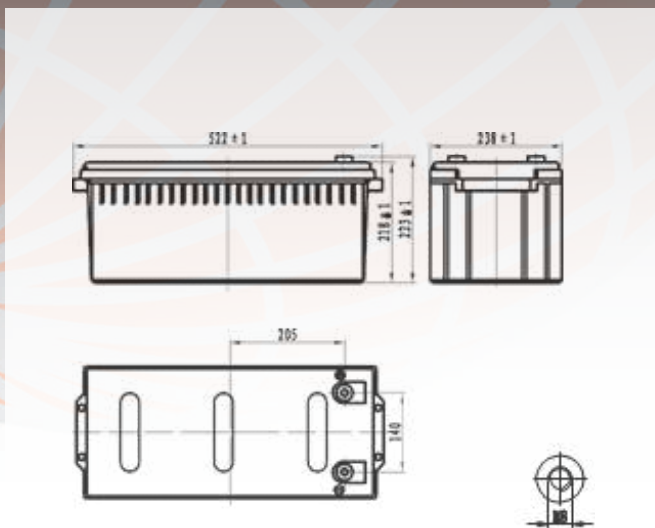
Amp. (25°C)

F.V/Time	5min	10min	15min	30min	45min	1h	2h	3h	5h	8h	10h	20h
1.60V		440	358	210		138		53.1	39.0		20.5	10.70
1.65V		414	337	203		135		52.0	38.2		20.4	10.65
1.70V		390	316	195		132		51.0	37.5		20.3	10.60
1.75V		364	295	188		129		49.8	36.7		20.2	10.55
1.80V		334	274	180		126		48.4	35.9		20.0	10.50

Watts (25°C)

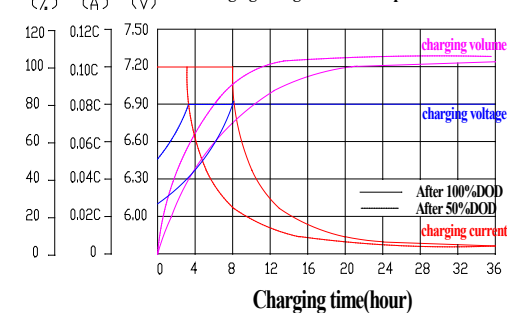
F.V/Time	5min	10min	15min	30min	45min	1h	2h	3h	5h	8h	10h	20h
1.60V		756	611	402	287	266	145	103	74.3			
1.65V		719	591	387	282	261	142	102	73.7			
1.70V		681	572	372	276	256	139	100	73.1			
1.75V		641	553	357	270	250	136	98.8	72.6			
1.80V		609	520	342	265	245	132	97.7	72.0			

ZGL120096

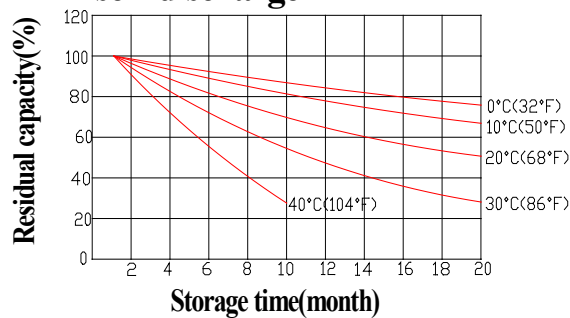


Charging characteristics

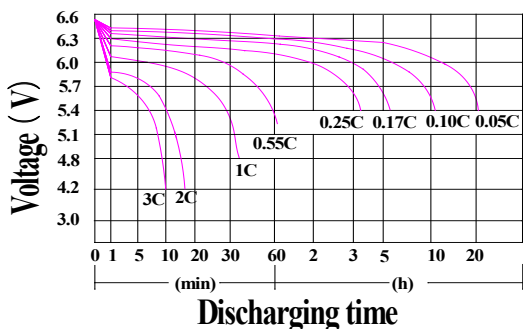
Charging voltage: 6.90±0.1V/piece at 25°C



Temperature effect on battery self-discharge



Discharge characteristics (25°C)



Temperature effect on capacity

