

WCW99 red and WCW69 white (WALL MOUNT SOUNDER VAD BEACON WHITE LED)
WCW98 red and WCW68 white (WEATHERPROOF VERSION)

**WCW – WALL MOUNT SOUNDER
VAD BEACON WHITE LED**

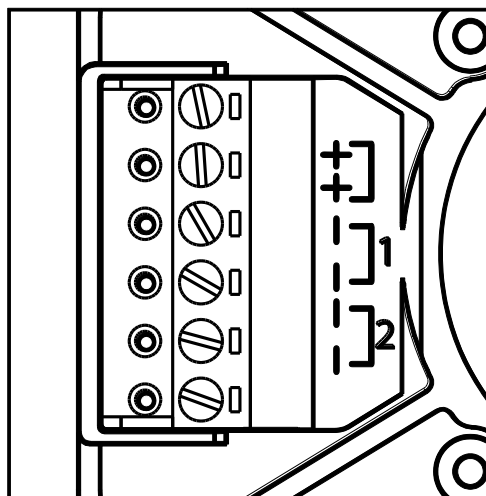
The wall mount Combined Sounder VAD Beacon range with white light, named WCW, comprehends devices that combine the same high efficiency and high power sounder of the WMS series, with an EN54 part 23 approved white light beacon that grants two different class W optical volume coverages, while ensuring the lowest current consumption on the market so far. The devices are available in white and red plastic colors and for internal and outdoor use, and have the same mechanical dimension and shape of the WMS series.



Technical Specifications

Code	WCWx9	WCWx8
Description	Wall Mount Sounder VAD Beacon White LED - Internal	Wall Mount Sounder VAD Beacon White LED - Weatherproof
Standards	EN54.3 / EN54.23 with synchro Compliant	EN54.3 / EN54.23 with synchro Compliant
Specification		
Operating Voltage	9Vdc to 60Vdc ⁽¹⁾	9Vdc to 60Vdc ⁽¹⁾
Operating Current	14.5mA (low volume, high coverage, 0.5Hz)	14.5mA (low volume, high coverage, 0.5Hz)
	12,5mA (low volume, low coverage, 0.5Hz)	12,5mA (low volume, low coverage, 0.5Hz)
Tones	See tables 4 and 5	See tables 4 and 5
Sound Output @ +/- 1dB	See table 1	See table 1
Volumes	2 (see table 1)	2 (see table 1)
Optical coverage	See table 3	See table 3
Flash frequency	See table 2	See table 2
Environmental		
Operating Temperature	-10°C to +55°C	-10°C to +55°C
Humidity (Non Condensing)	0 to 95% RH	0 to 95% RH
Physical		
Construction	ABS V0, V2 PC for glasses	ABS V0, V2 PC for glasses
Colour	Red (WCW99) or White (WCW69)	Red (WCW98) or White (WCW68)
Dimensions (H x W x L)	45x109x121	63x118x121
Weight	203g	232g
IP - Ingress Protection	21	65
Cable Entry	Rear	Rear/Side
Cable Size	0.5mm to 2.5mm	0.5mm to 2.5mm

Standard Connection



PIN	Function
+	Positive (9-60V)
1	Negative (Standard Tones)
2	Negative (Alternative Tones)

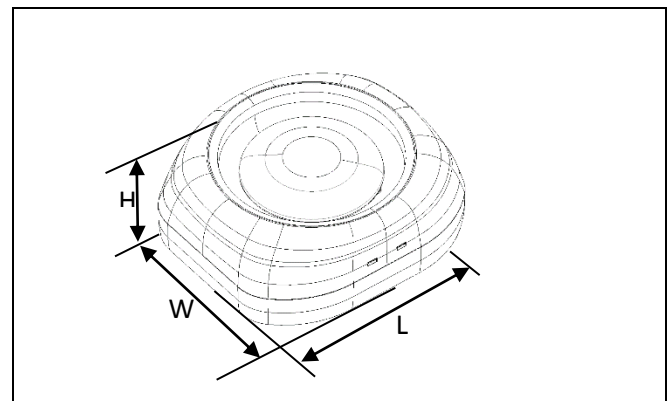


WCW99 red and WCW69 white (WALL MOUNT SOUNDER VAD BEACON WHITE LED)
WCW98 red and WCW68 white (WEATHERPROOF VERSION)

System Functionality

- Volume is set by dip switches (see Table 1)
- LED frequency set by dip switches (see Table 2)
- LED power set by dip switches (see Table 3)
- Tone is set by dip switches (see Table 4)
- Alternative tones set by dip switches (see table 5)
- Minimum sound pression in the worst direction (see table 6)

Dimensions



Description	H (mm)	W (mm)	L (mm)
Internal	45	109	121
Weatherproof	63	118	121

DIP Switch Configuration

Number	DIP Switch Configuration
1	Tone selection
2	
3	
4	
5	
6	Volume selection
7	LEDs frequency selection
8	LEDs power selection

Type Reference WCW98 / WCW68	
20 2852	2852-CPR-0116 EN 54-23:2010 EN 54-3:2001 + A1:2002 + A2:2006

Type Reference WCW99 / WCW69	
20 2852	2852-CPR-0117 EN 54-23:2010 EN 54-3:2001 + A1:2002 + A2:2006



WCW99 red and WCW69 white (WALL MOUNT SOUNDER VAD BEACON WHITE LED)
 WCW98 red and WCW68 white (WEATHERPROOF VERSION)

Table 1: Volume Switch

Volume	DIP configuration	Notes
	Switch 6	
HIGH	1	Nominal pressure 100dB(A) @ 1m, 970Hz continuous tone ^{(1) (2)}
LOW	0	Nominal pressure 95dB(A) @ 1m, 970Hz continuous tone ^{(1) (2)}

(1) +/-1db(A)

(2) Detected at 90°

Table 2: LEDs frequency switch

LEDs frequency	DIP configuration	Frequency
	Switch 7	
HIGH	0	1Hz
LOW	1	0.5Hz

Table 3: LEDs power switch

LEDs power	DIP configuration	En54-23 class
	Switch 8	
HIGH	1	W4-9
LOW	0	W3-7



WCW99 red and WCW69 white (WALL MOUNT SOUNDER VAD BEACON WHITE LED)
WCW98 red and WCW68 white (WEATHERPROOF VERSION)

Table 4: Standard tones set (use terminal pin 1)

Tone designation	Tone pattern description	DIP switch
		Switches: 1-2-3-4-5
Silent	No sound	11111
Warble Tone⁽¹⁾	800Hz for 500ms, then 1000Hz for 500ms	11101
Continuous tone⁽¹⁾	970Hz continuous tone	01011
Slow Whoop (Dutch)	500-1200Hz for 3500ms, then off for 500ms	10101
German DIN tone	1200-500Hz swept every 1000ms (1Hz)	00111
Alternate HF slow sweep	2350-2900Hz swept every 333ms (3Hz)	10010
Alternative warble	800Hz for 250ms, then 960Hz for 250ms	11110
Alternative warble	500Hz for 250ms, then 600Hz for 250ms	11100
Analogue sweep tone	500-600Hz swept every 500ms (2Hz)	10100
Australian Alert (intermittent tone)	970Hz for 625ms, then OFF for 625ms	10001
Australian Evac (slow whoop)	500-1200Hz sweep for 3750ms, then OFF for 250ms	10110
FP1063.1-Telecom	800Hz for 250ms, then 970Hz for 250ms	00001
French tone AFNOR	554Hz for 100ms, then 440Hz for 400ms	00101
HF Back up interrupted tone	2800Hz for 1s, then OFF for 1s	11011
HF Back up interrupted tone – fast	2800Hz for 150ms, then OFF for 150ms	11001
HF Continuous	2800Hz continuous	01001
Interrupted tone	800Hz for 500ms, then OFF for 500ms	01111
Interrupted tone medium	1000Hz for 250ms, then OFF for 250ms	01101
ISO 8201 LF BS5839 Pt 1 1988	970Hz for 500ms, then OFF for 500ms	01110
ISO 8201 HF	2850Hz for 500ms, then OFF for 500ms	01100
LF Back up Alarm	800Hz for 150ms, then OFF for 150ms	11010
LF Buzz	800-950Hz swept every 9ms	01010
LF Continuous tone BS5839	800Hz continuous	11000
Siren 2 way ramp (long)	500-1200Hz rising for 3000ms, then falling for 3000ms	00000
Siren 2 way ramp (short)	500-1200Hz rising for 250ms, then falling for 250ms	00010
Swedish all clear signal	660Hz continuous	00100
Swedish Fire signal	660Hz for 150ms, then OFF for 150ms	00110
Sweep tone (1 Hz)	800-900Hz swept every 1000ms	10111
Sweep tone (3 Hz)	800-970Hz swept every 333ms (3Hz)	10011
Sweep tone (9 Hz)	800-970Hz swept every 111ms (9Hz)	01000
US Temporal Pattern HF	(2900Hz for 500ms ON, 500ms OFF) x3, then 1500ms OFF	00011
LF Sweep (Cranford tone)	800-1000Hz swept every 500ms (2Hz)	10000

(1) Certified Tones



ISO 9001:2015
FS 547716

Synaps Technology S.r.l. • Via Pietraferrata 9/1 • 34147 Trieste, Italia

Tel: +39 040 9896000 • Fax: +39 040 9896001

E-mail: info@synaps-technology.com • Web: <http://www.synaps-technology.com>

P.IVA E C.F. 01046470322 Trib. TS • R.E.A. TRIESTE 120284 • Cap. Soc. € 20.000 I.V.



WCW99 red and WCW69 white (WALL MOUNT SOUNDER VAD BEACON WHITE LED)
WCW98 red and WCW68 white (WEATHERPROOF VERSION)

Table 5: Alternative tones set (use terminal pin 1)

Tone pattern description	DIP switch
	Switches: 1-2-3-4-5
970Hz continuous	11111
800Hz continuous	11101
800-970hz for 1s⁽¹⁾	01011
500-1200Hz for 3500ms, then off for 500ms	10101
800Hz continuous	00111
2400Hz continuous	10010
800Hz continuous	11110
500Hz continuous	11100
500Hz continuous	10100
2400Hz continuous	10001
500-1200Hz sweep for 3750ms, then OFF for 250ms	10110
500-1200Hz rising for 250ms, then falling for 250ms	00001
800Hz continuous	00101
2800Hz continuous	11011
800Hz continuous	11001
2800Hz continuous	01001
800Hz continuous	01111
800Hz continuous	01101
970Hz for 500ms, then OFF for 500ms	01110
2850Hz for 500ms, then OFF for 500ms	01100
800Hz continuous	11010
800Hz continuous	01010
800Hz continuous	11000
800Hz continuous	00000
800Hz continuous	00010
660Hz continuous	00100
660Hz for 150ms, then OFF for 150ms	00110
800Hz continuous	10111
800Hz continuous	10011
800Hz continuous	01000
2900Hz continuous	00011
800Hz continuous	10000

(1) Certified Tones



ISO 9001:2015
FS 547716

Synaps Technology S.r.l. • Via Pietraferrata 9/1 • 34147 Trieste, Italia

Tel: +39 040 9896000 • Fax: +39 040 9896001

E-mail: info@synaps-technology.com • Web: <http://www.synaps-technology.com>

P.IVA E C.F. 01046470322 Trib. TS • R.E.A. TRIESTE 120284 • Cap. Soc. € 20.000 I.V.



WCW99 red and WCW69 white (WALL MOUNT SOUNDER VAD BEACON WHITE LED)
WCW98 red and WCW68 white (WEATHERPROOF VERSION)

Table 6: The minimum sound pressure in the worst direction.

N.	Tone	Audible Volume	
		HIGH	LOW
1	Warble tone 800Hz for 500 ms, then 1000Hz for 500 ms	83,1 dB(A)	79,5 dB(A)
2	Continuous tone (standard) 970Hz	79,9 dB(A)	77,4 dB(A)
3	800-970Hz for 1 s	84,3 dB(A)	81,8 dB(A)



ISO 9001:2015
FS 547716

Synaps Technology S.r.l. • Via Pietraferrata 9/1 • 34147 Trieste, Italia

Tel: +39 040 9896000 • Fax: +39 040 9896001

E-mail: info@synaps-technology.com • Web: <http://www.synaps-technology.com>

P.IVA E C.F. 01046470322 Trib. TS • R.E.A. TRIESTE 120284 • Cap. Soc. € 20.000 I.V.

