

Support for planning and project management for efficient fire alerting with the flashing light PYRA PY X-M-10-SSM, clear lens, in compliance with EN 54-23

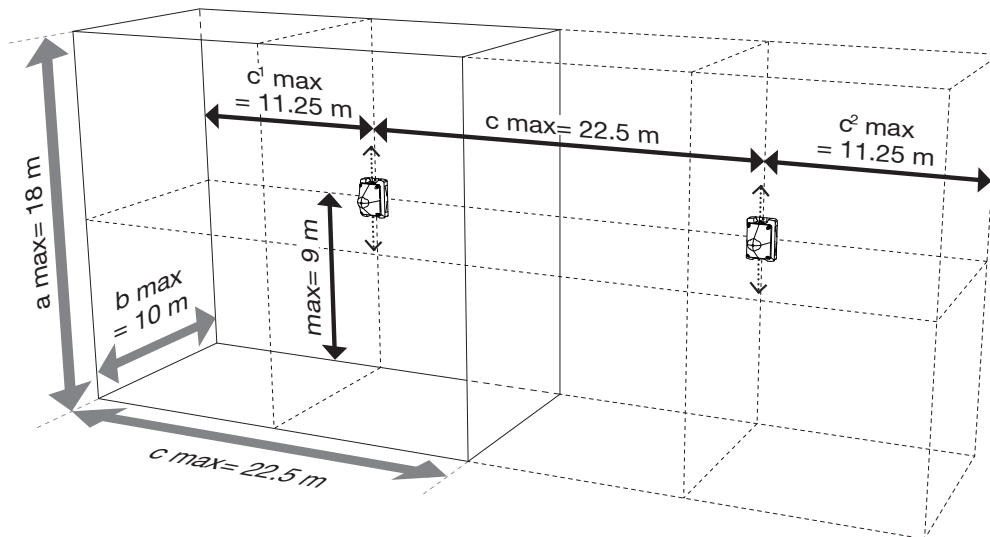
The PYRA X-M-10-SSM is approved according to the category "O".

This means that the flashing light may be mounted
in many multiple positions such as on the ceiling or wall.

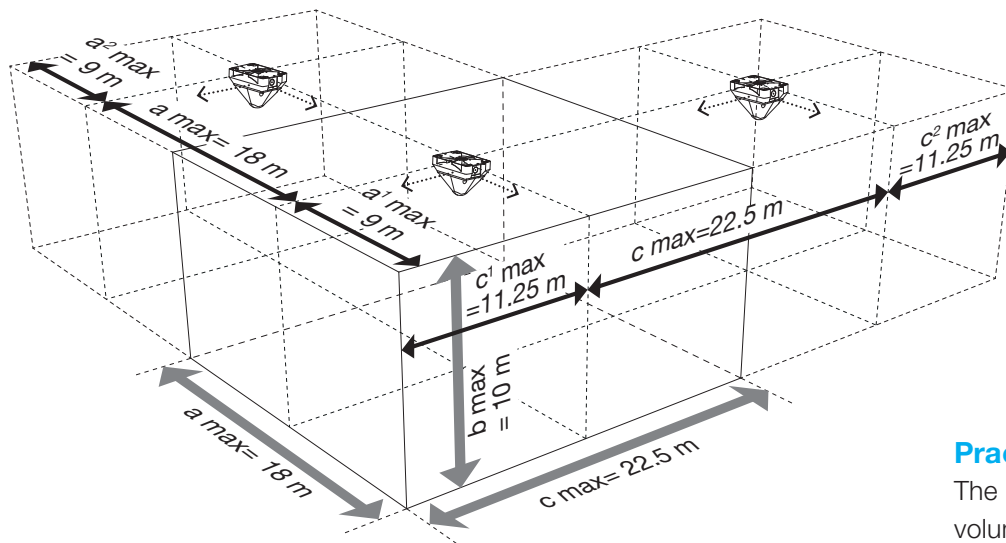
The PYRA X-M-10-SSM has different signaling ranges
laterally for the light emission!

Please consider this when positioning the light during planning and mounting to ensure the correct maximum range.

The following pictures show the maximum ranges.



Signaling ranges of the
PYRA flashing light
PY X-M-10-SSM, 24 V DC,
clear lens, using the
example of **wall mounting**



Signaling ranges of the
PYRA flashing light
PY X-M-10-SSM, 24 V DC,
clear lens, using the
example of
ceiling mounting

Practical implementation:

The signaling devices' coverage
volumes are arranged next to each
other many times until the alarm area
is covered.

Support for planning and project management for efficient fire alerting with the flashing light PYRA PY X-M-10-SSM, red lens, in compliance with EN 54-23

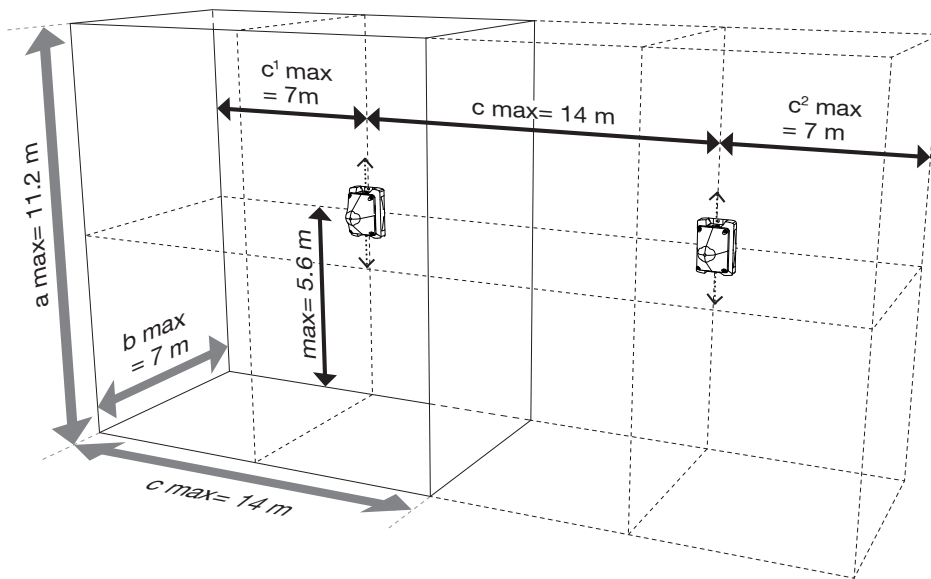
The PYRA X-M-10-SSM is approved according to the category "O".

This means that the flashing light may be mounted
in many multiple positions such as on the ceiling or wall.

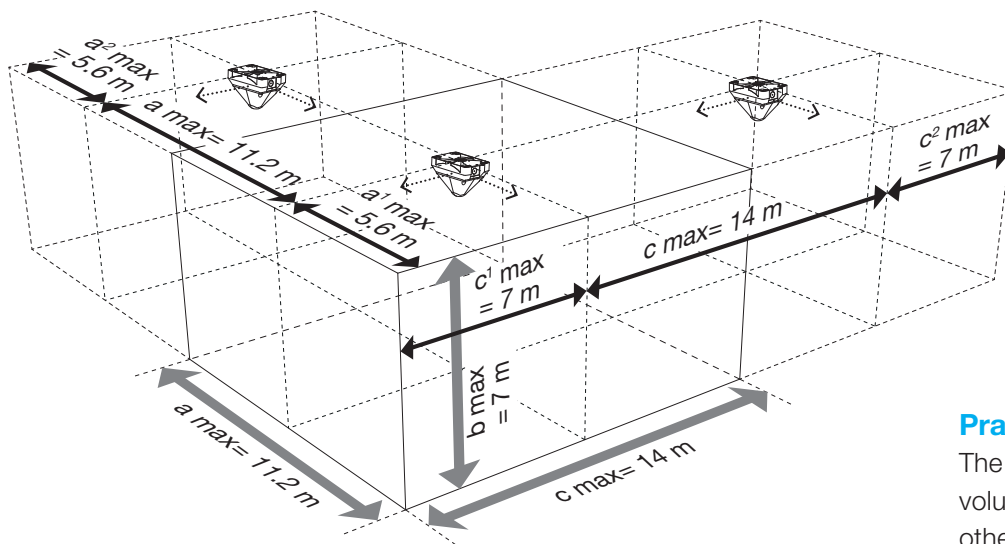
The PYRA X-M-10-SSM has different signaling ranges
laterally for the light emission!

Please consider this when positioning the light during planning and mounting to ensure the correct maximum range.

The following pictures show the maximum ranges.



Signaling ranges of the
PYRA flashing light
PY X-M-10-SSM, 24 V DC,
red lens, using the example
of **wall mounting**



Signaling ranges of the
PYRA flashing light
PY X-M-10-SSM, 24 V DC,
red lens, using the example
of **ceiling mounting**

Practical implementation:

The signaling devices' coverage
volumes are arranged next to each
other many times until the alarm area
is covered.