



# SM21 Swivel Mount

- **Data Sheet**
- **Instructions**



<http://sense-ware.com>



## Description

The swivel mount SM21 is a convenient mounting device for several SENSE-WARE flame detector models. The swivel mount enables you to thoroughly align the detectors to the fire risks. The swivel mount SM21 is suitable for Hazardous Area applications.

## Instructions

### Remarks

1. The swivel mount should be mounted by qualified personnel.
2. Read these instructions carefully before mounting the swivel mount and the detector.
3. Read also carefully the manual of the flame detector before mounting the swivel mount and the detector. In this manual you will find the detector positioning guidelines.
4. Use for the cleaning of the swivel mount never a liquid cleaning agent. This to avoid buildup of electrostatic charges.
5. When cleaning the swivel mount SM21 exclusively use a damp microfiber cloth to avoid the mount is getting static.

### Required tools

- 1 metric wrench 13 mm
- 1 metric wrench 7 mm
- 1 screwdriver size 7

### Mounting step by step

Loosen with help of the wrench 13 the bolt of the wall plate pivot point. Remove the wall plate from the rest of the swivel mount.

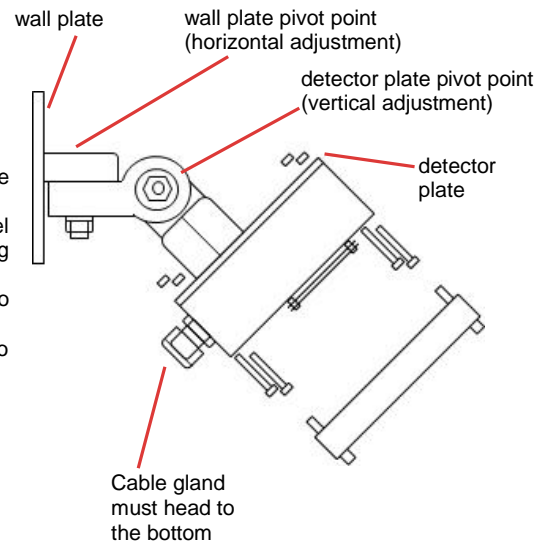
1. Mount the wall plate by means of 4 bolts or screws (not included) to a vibration free wall or to a pole.
2. Loosen the 4 red plastic screws that connect the cover of the flame detector to the housing and separate the cover.
3. Loosen the 4 bolts of the detector plate. Mount with help of a wrench 7 mm and a screw driver with this 4 bolts the detector on the detector plate. The slit of the bolt must be placed in the detector housing and the nut behind the detector plate. The cable gland should head to the bottom. Make sure that the detector plate pivot point is nearest to the cable gland of the detector.
4. Put the detector with detector plate into the position that cabling of the detector is as convenient as possible. Tighten the bolt/nut of the wall plate pivot point temporarily.
5. Put the cabling of the flame detector according to the guidelines in the flame detector manual.
6. Place the cover of the detector on the housing and tighten the four red plastic screws with no more or less torque than 2 nm. **Attention.** Make sure that the cover (with detector window) is placed in the correct orientation. The sensors should be visible if you look through the detector window.
7. Loosen the bolt of the detector plate pivot point and align the detector vertically in the right position. (Heading 45° to the bottom). Tighten the bolt.
8. Loosen the bolt of the wall plate pivot point and align the detector horizontally into the right position. Tighten the bolt.
9. Check if the flame detector is positioned correctly. Repeat, if necessary steps 8 and 9.
10. Check if all bolts are tightened correctly and tighten the cable gland.

### Safety instruction:

When cleaning the swivel mount SM21 exclusively use a damp microfiber cloth to avoid the mount is getting static.

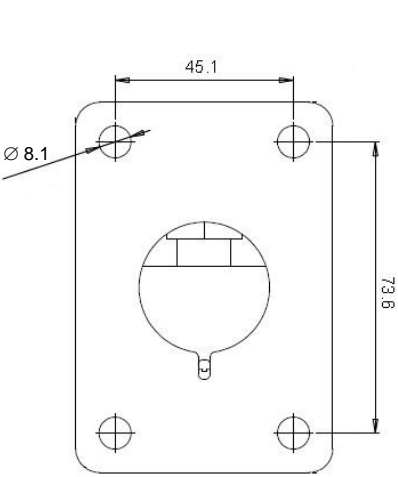
### Specifications:

Material Swivel / Bolts and Nuts	PA66 / 316 SS
Weight	280 grams (0.62 lbs)

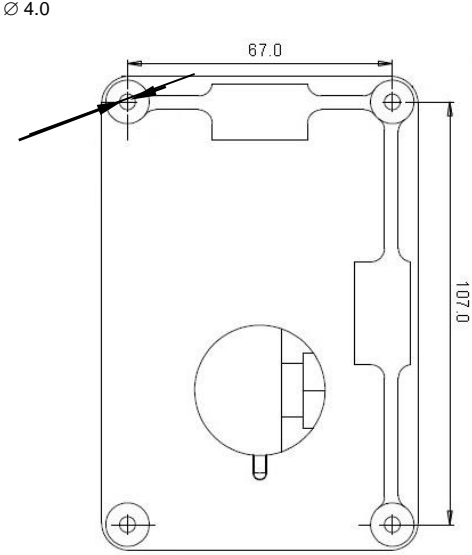




**Dimensional Drawings**



**Hole pattern wall plate**



**Hole pattern detector plate**

Check the website [www.sense-ware.com](http://www.sense-ware.com) for the latest information and latest version of this manual.  
Due to the policy of continued product development SENSE-WARE Fire and Gas Detection BV reserves the right to alter or amend information in their publications without prior notice and no responsibility can be accepted for errors or omissions.