



CONDENSATION TRAP

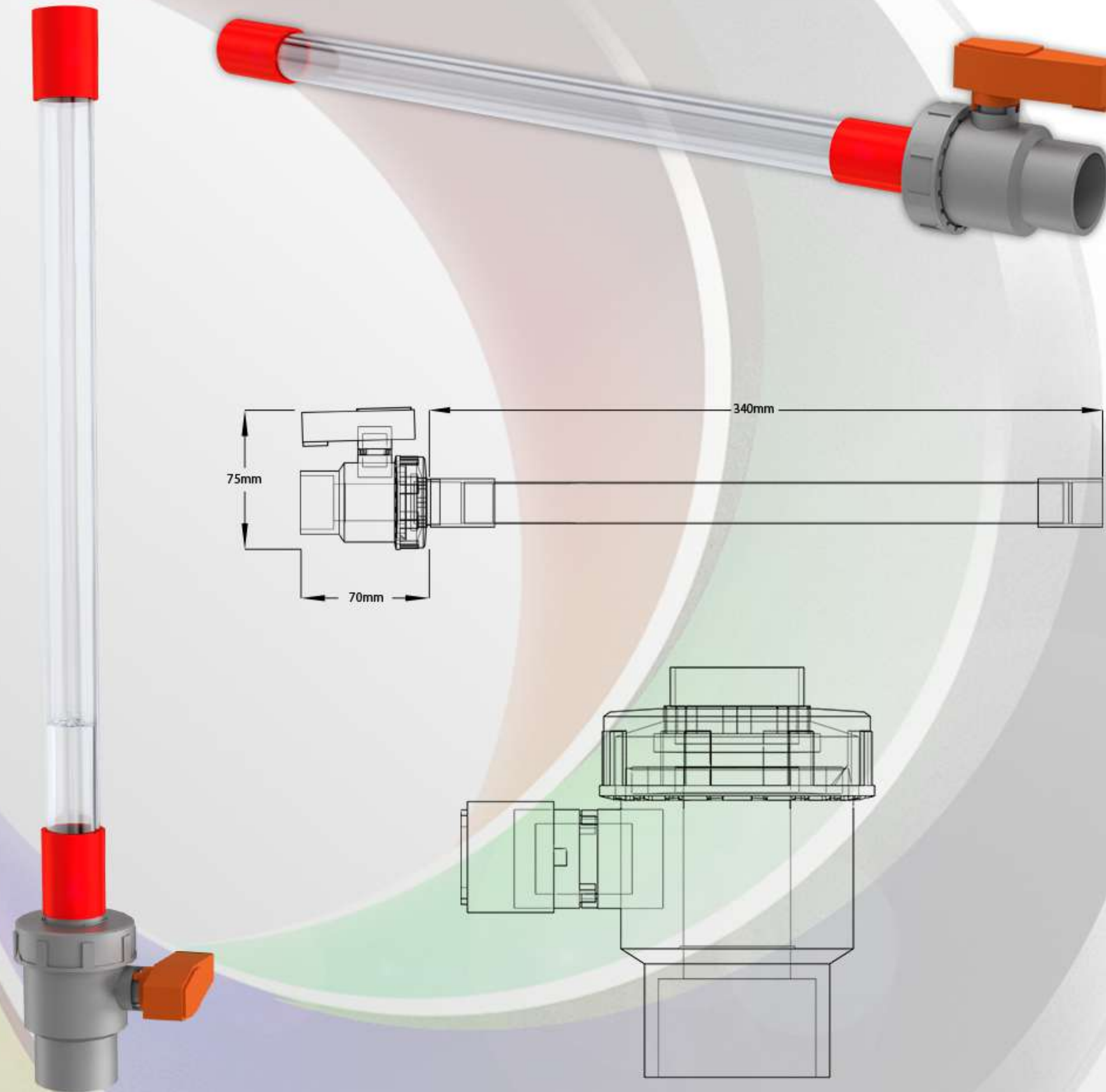
(CT-01 - 25mm)

Used in an environment where there are constant temperature changes, which causes condensation in the system, typically in a chill store, or a room that is open to the atmosphere which can then be measured and recorded, can be drained on a regular basis by simply opening the valve.

Installation Instructions:

- Use the correct solvent Plusbond 3019.
- Do not paint.
- Keep pipe clean and free from dust.
- Do not install in direct sunlight.
- Only install with approved pipe.
- Do not use solvents to clean, only soapy water.

Part No.	CT-01 - 25mm
Fitting Colour	RED
Pipe Colour	OPAQUE
Diameter Tolerance	+/- 0.15mm



RAW MATERIAL DATA

Kumho ABS 750
Acrylonitrile Butadiene Styrene

Physical:
Specific Gravity 1.04
Test Method ASTM D792

Melt Mass - Flow Rate (MFR)
200°C/21.6 kg 47 g/10 min
200°C/5.0 kg 4.1 g/10 min
220°C/10.0 kg 34 g/10 min
Test Method ASTM D1238

Molding Shrinkage -
Flow 0.0040 to 0.0070 in/in
Test Method ASTM D955

Mechanical:
Tensile Strength
Yield, 73°F (23°C)
1.97 in (50.0mm)
6670 psi
Test Method ASTM D638

Tensile Elongation
Yield, 73°F (23°C)
1.97 in (50.0 mm), 15%
Test Method ASTM D638

Flexural Modulus
Yield, 73°F (23°C)
0.118 in (3.00 mm)
312000 psi
Test Method ASTM D638

Flexural Strength
Yield, 73°F (23°C)
0.118 in (3.00 mm)
9230 psi
Test Method ASTM D790

Impact
Notched Izod Impact
73°F(23°C), 0.126 in (3.20 mm), 5.5 ft-lb/in
73°F(23°C), 0.252 in (6.40 mm), 4.8 ft-lb/in
Test Method ASTM D256

Hardness
Rockwell Hardness (R-Scale) 108
Test Method ASTM D785

Thermal
Deflection Temperature Under Load
264 psi (1.8 MPa), Unannealed 185°F/85°C
Test Method ASTM D648
Vicat Softening Temperature 203°F/95°C
Test Method ASTM D1525

Flamibility
Flame Rating
0.0630 in (1.60 mm) HB
0.0866 in (2.20 mm) HB
0.126 in (3.20 mm) HB
Test Method UL 94

Bisson Ltd
Unit 11, Eldonwall Trading Estate,
St.Phillips, Bristol, BS4 3QQ

Tel: 0117-967-9999
Fax: 0117-961-9261
<http://www.abspipesandfittings.co.uk>